

**Biological Microscope**

**MC50** "Pink"

**MC50BAT** "Poppy"



Microscopes

# Biological Microscope MC50 "Pink"

Let us guide you into the exciting world of microscopy!

micros MC50 binocular microscope has been developed for routine laboratory applications and now enters the market with a new design and a substantially upgraded optical system. Based on a sturdy construction, you get a solid and attractive instrument with long durability at a very interesting price-performance ratio.

Researchers and explorers, tall and small, will come to cherish the ergonomic arrangement of the operating controls, the DIN standard ACHRO optics which guarantee strain free work and the unique quality of illumination.

**Eyepieces**  
WF10x/18  
Widefield.  
Allow easy and convenient observation with eyeglasses.

**Objectives**  
4x, 10x, 40x and 100x Achro with excellent image-flatness allow a magnification range from 40-1000x.

**Stage**  
Double layer mechanical specimen stage with low position control.  
Total focusing range 40 mm.

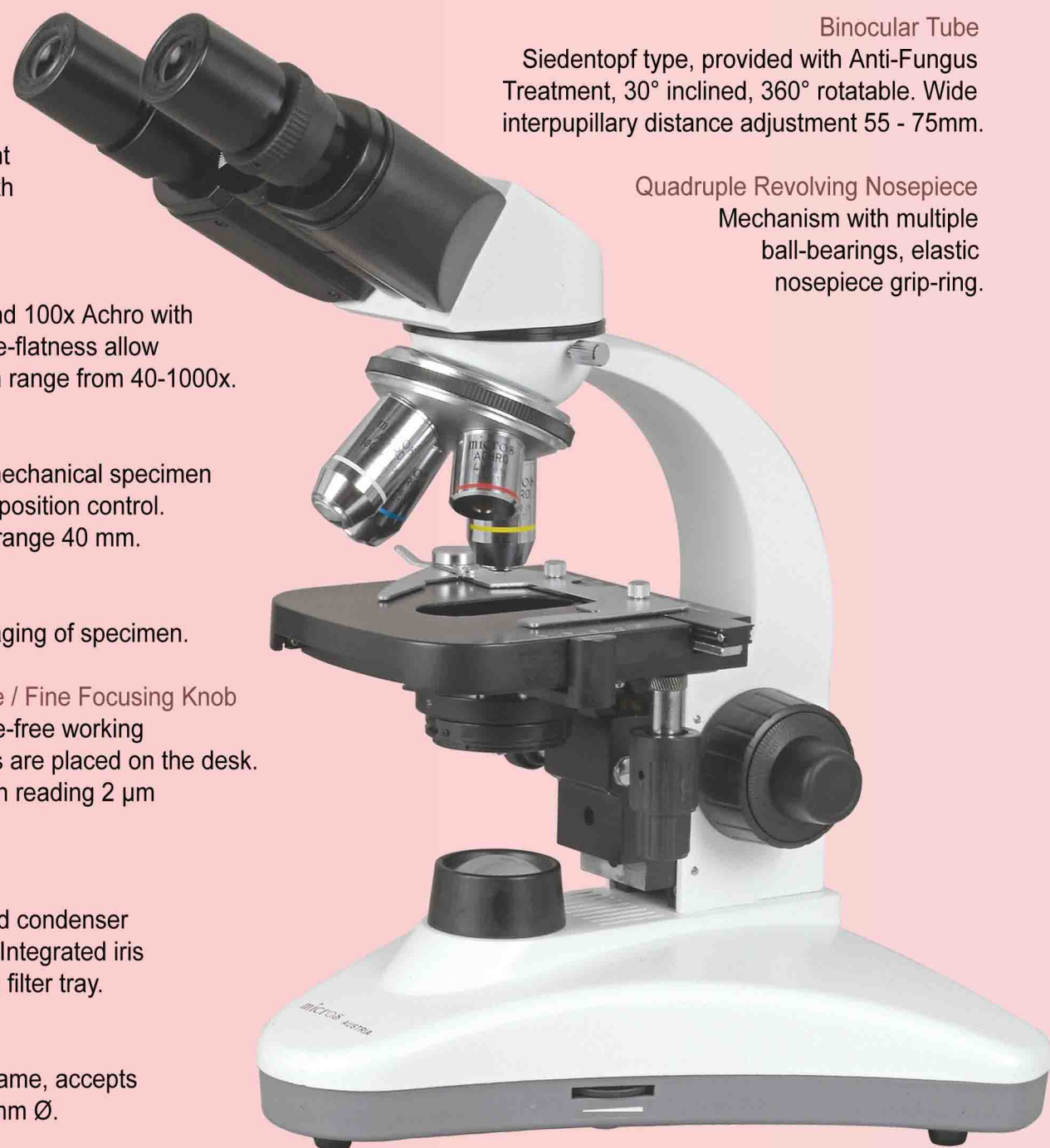
**Focus Stop**  
Prevents damaging of specimen.

**Coaxial Coarse / Fine Focusing Knob**  
Assures fatigue-free working because hands are placed on the desk.  
With graduation reading 2 µm per division.

**Condenser**  
Abbé Brightfield condenser with n.A. 1.25. Integrated iris diaphragm and filter tray.

**Field Stop**  
Integrated in frame, accepts filters with 32 mm Ø.

**Light Adjustment**  
With built-in power supply, 6V20W halogen bulb, adjustable for 110V/220V, 50/60Hz. Continuous light adjustment possible. Equipped with PHILIPS bulbs.



**Binocular Tube**  
Siedentopf type, provided with Anti-Fungus Treatment, 30° inclined, 360° rotatable. Wide interpupillary distance adjustment 55 - 75mm.

**Quadruple Revolving Nosepiece Mechanism** with multiple ball-bearings, elastic nosepiece grip-ring.

# Cordless MC50BAT "Poppy"

For people who love their independence!



The MC50BAT is a great take-anywhere microscope for wherever you go. Consistent with the technical features of MC50, this microscope assures total independence from plugs and wires.

**Use it indoors or take it out to the field!**

- The illumination is provided by a bright white, long-life LED lamp and a rechargeable high performance Lithium battery.
- Estimated battery durability is over 50 hours at continuous operation.
- Recharge time is 5 - 6 hours.
- The microscope can be used while the battery is being recharged.
- LED lamp durability is over 10.000 hours.
- LED illumination corresponds with a 20W tungsten bulb.
- Battery is intended for 400 charges for about 20.000 hours total.



Socket



AC Adapter



(Option)

Robust aluminium case to store your complete microscope. (Separate compartment for small parts.)  
With lock and key. Color: silver / black  
Weight: 5,5 kg  
Dimensions:  
47 x 35 x 32 cm  
(DxHxW)

To make communication much more effective:  
Pointer eyepiece  
WF10x/18  
with reticule for observation of explicit objects.  
(Option)

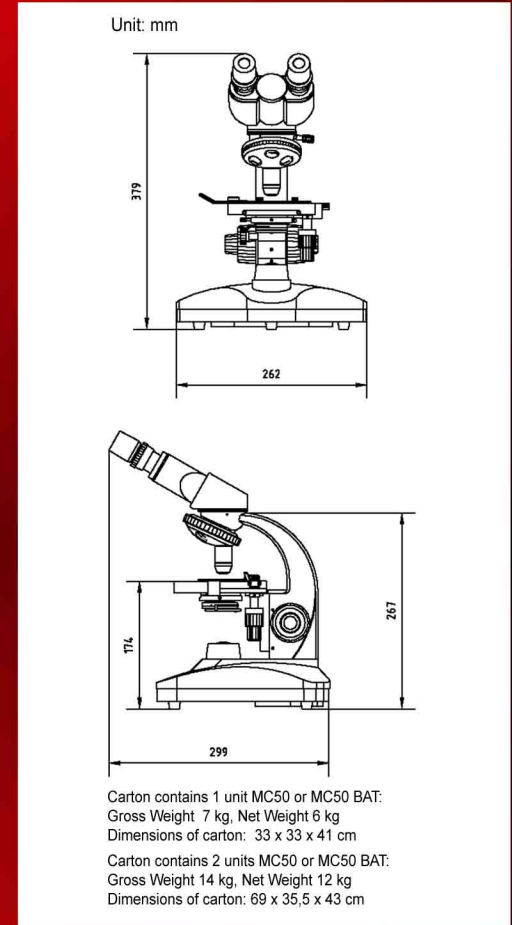


For further models please go to [www.micros.at](http://www.micros.at)

## Specifications

		MC50 "Pink"	MC50BAT "Poppy"
<b>Magnification Range</b>	40x - 1000x	•	•
<b>Microscope Body</b>	Sturdy, 270 x 250 mm base with supportive rubber feet	•	•
<b>Nosepiece</b>	Quadruple, mechanism with multiple ball bearings, elastic nosepiece grip-ring	•	•
<b>Head</b>	Binocular Siedentopf Head, 30° inclined, 360° rotatable, interpupillary distance 55 – 75 mm, provided with Anti-Fungus Treatment	•	•
<b>Stage</b>	Double layer mechanical specimen stage with low position, coaxial coarse and calibrated fine focus control with graduation reading 2 microns per division. Total focusing range 40 mm, safety stop unit	•	•
<b>Condenser</b>	Abbé brightfield condenser, n.A. 1.25, integrated iris diaphragm and filter tray	•	•
<b>Eyepieces</b>	WF 10x/18 widefield	•	•
<b>Objectives</b>	ACHRO 4x/0.10 ACHRO 10x/0.25 ACHRO 40x/0.65, spring loaded ACHRO 100x/1.25 oil, spring loaded	•	•
<b>Illumination for "Pink"</b>	Power supply in-built, 6V 20W halogen bulb adjustable for 110/220V, 50/60Hz. daylight mirror included	•	
<b>Illumination for "Poppy"</b>	LED lamp, powered by LITHIUM battery or alternative by DC9V power supply		•
<b>Power Cord</b>	Detachable	•	•
<b>Accessories for "Pink"</b>	Dust cover, blue filter, immersion oil, instruction manual, fuses, 2 pcs. PHILIPS 6V 20W halogen bulbs	•	
<b>Accessories for "Poppy"</b>	Dust cover, white filter, immersion oil, instruction manual, power supply for battery recharging and mains operation		•
<b>Options</b>	Aluminium Case, different eyepieces, eyepieces security lockable.	•	•

## Dimensional Diagram



Microscope design developed and patented by Micros Austria.

Specifications and equipment are subject to change without any obligation on the part of the manufacturer.

## micros Austria Headquarter

Breitenfurter Strasse 38  
A-1120 Vienna / AUSTRIA  
Phone: +43/1/802 72 70  
Fax: +43/1/802 72 71  
E-mail: office@micros.at  
www.micros.at

## micros Russia, 123610 Moscow

World Trade Center Moscow  
Krasnopresnenskaya nab. 12  
Phone: +7/095/967 07 25  
Fax: +7/095/667 07 26  
www.micros-at.ru



RMS  
Member of  
Royal Microscopy Society

We are here for you: